

**Shower Kit for Walk-in Tub Deck Mount Faucets
Installation instructions**

**Shower Kit for Walk-in Tub
Deck Mount Faucets**

IMPORTANT: Read this manual before installing this product. There is important product safety information in this manual, so please be sure to read it thoroughly.

Parts

A: Shower Base Column. Remove the original Handheld Escutcheon and replace it with this accessory. Connected to a diverter of single lever valve.

B: Diverter. Diverter for rain shower or handheld shower.

C: Shower Slide Bar. Connecting the diverter(B) and rain shower column (D).

D: Rain Shower Column. Connecting the Shower Slide Bar (C) and 10-inch pivoting rain shower (E). The rain shower column-2 is secured with a rotating lock on the handle(H).

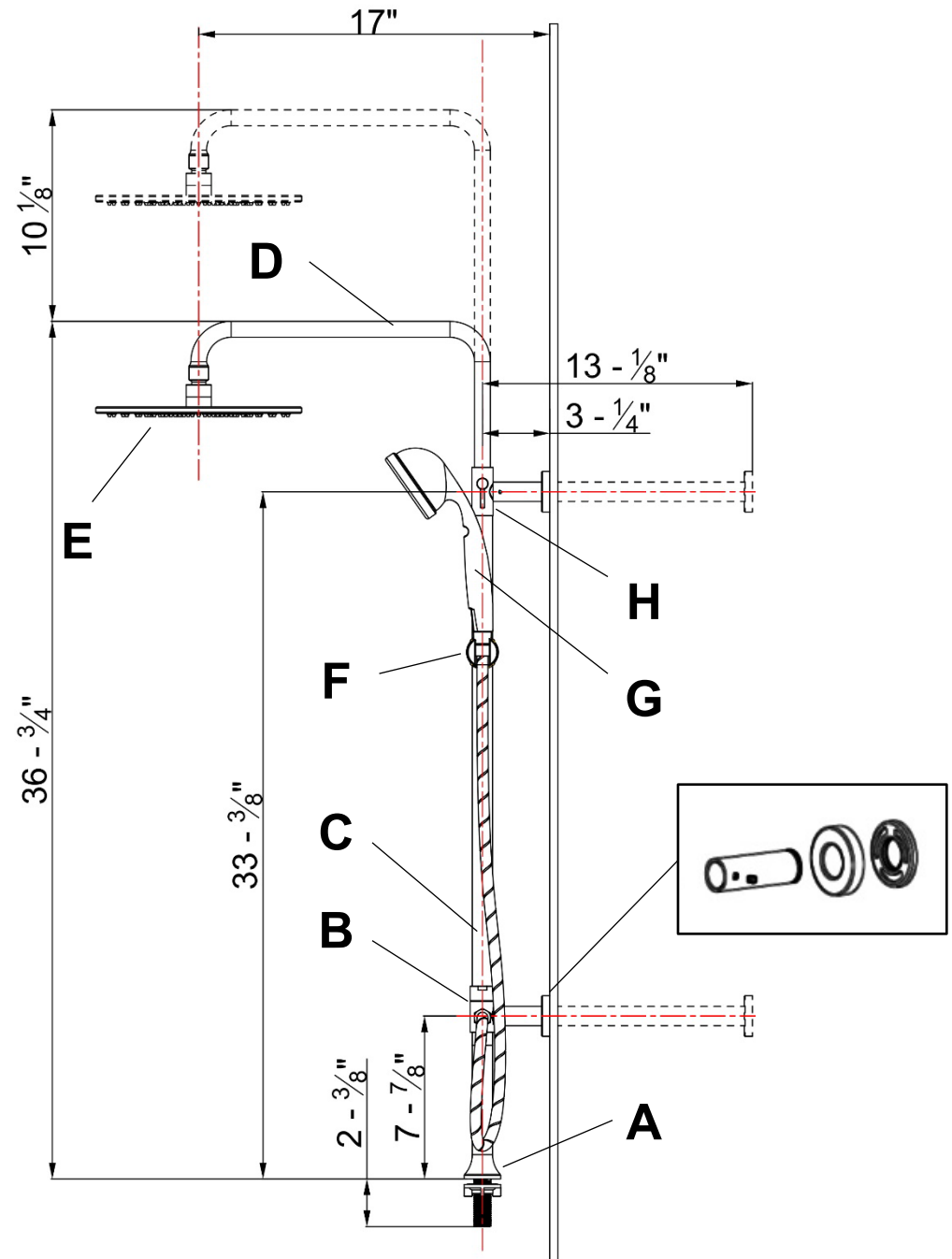
E: 10-inch Pivoting Rain Shower. Connecting the rain shower column-2(D).

F: Shower Slide Bar Bracket. Adjustable height and angle bracket for handheld shower.

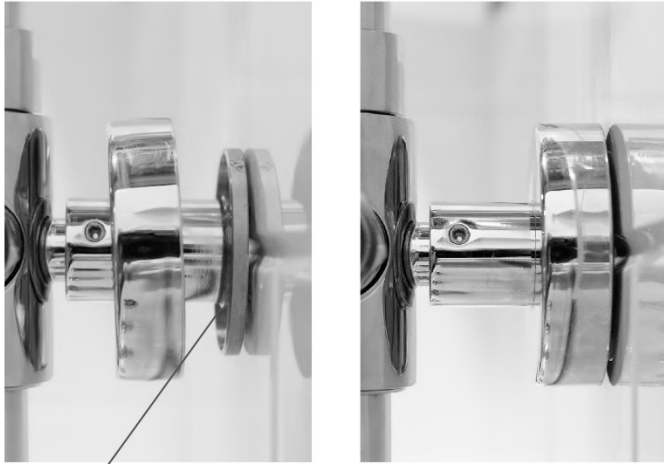
G: Handheld Shower. The kit does not include the hand shower. You must use the hand shower of your existing.

H: Rotating Lock. Diverter to adjust the rain shower column(D) height.

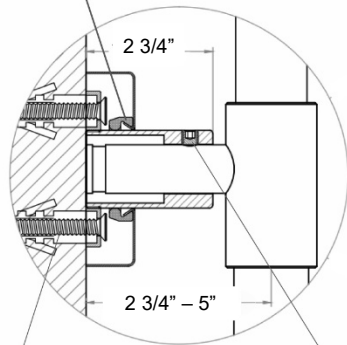
I: Shower Mounts. Fixed the shower kit.



Parts



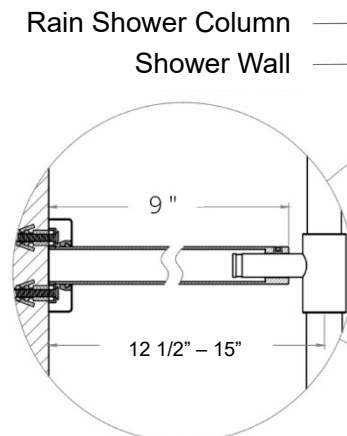
The pipe is screwed in a threaded connection



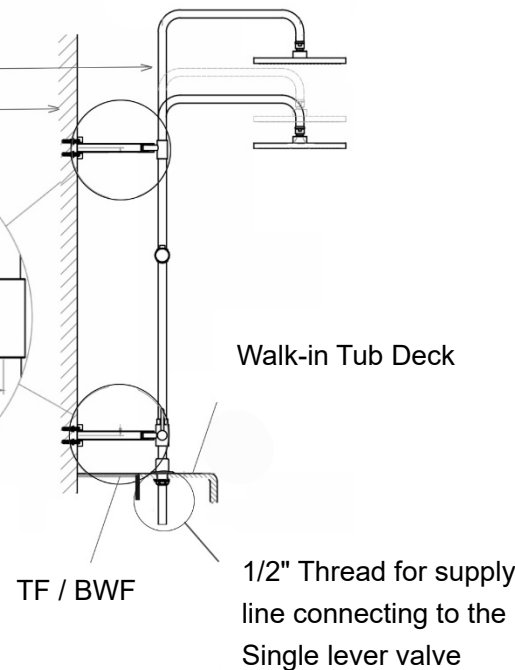
Short pipe connector range between 2 3/4"-5"

Anchor and screw

Secured with a allen screw.



Long pipe connector range between 12 1/2"-15"

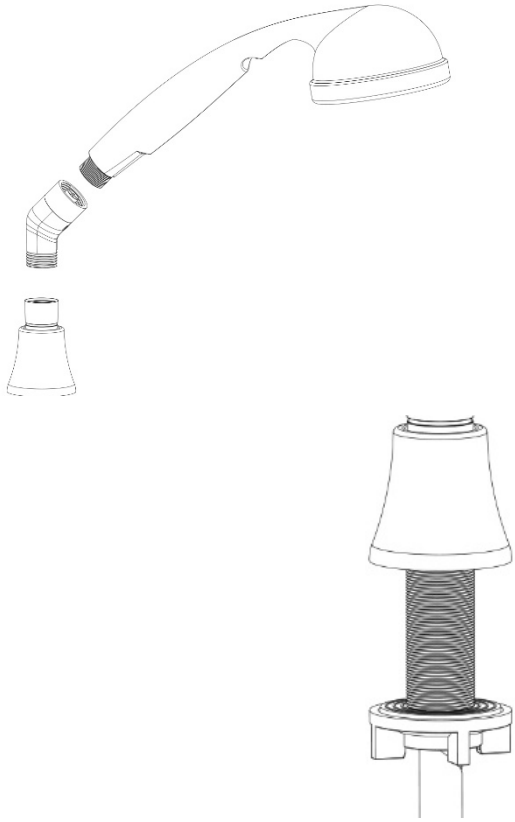


The shower kit is attached to the wall with either a short or long pipe connector. The long pipe can range between 12 1/2" to 15". The short pipe can range between 2 3/4" to 5". These pictures show a short pipe connector.

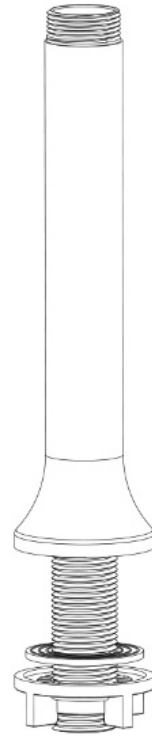
The long pipe connector is used when the walk-in tub TF/BWF is used in installation. The short pipe connector is used to attach the shower column to the wall when the gap between the center of the shower column and the wall.

Please Choosing The Right Pipe Connector.

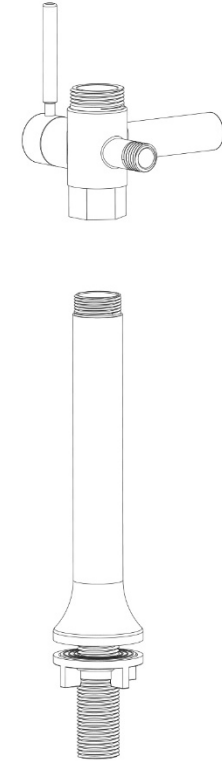
Installation



Step.1 Remove the handheld shower (G) and handheld hose as shown in the picture above, and then remove the handheld escutcheon.

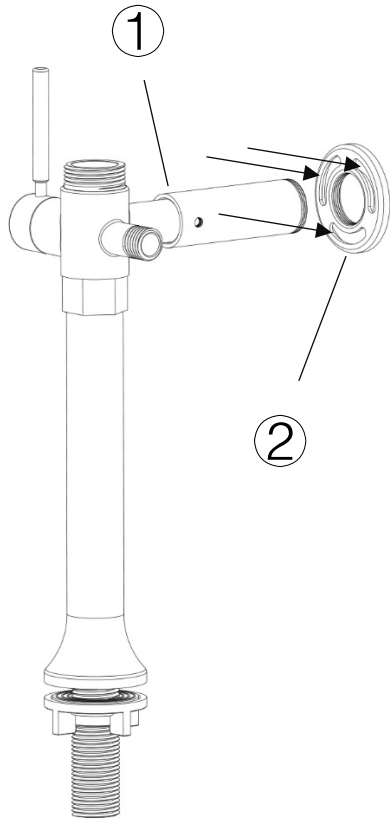


Step.2 Install the shower base column (A) to the position of the original handheld escutcheon.

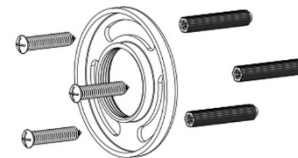


Step.3 Install the diverter (B) onto the shower base column (A). Make sure the flat gasket is not peeled off or damaged.

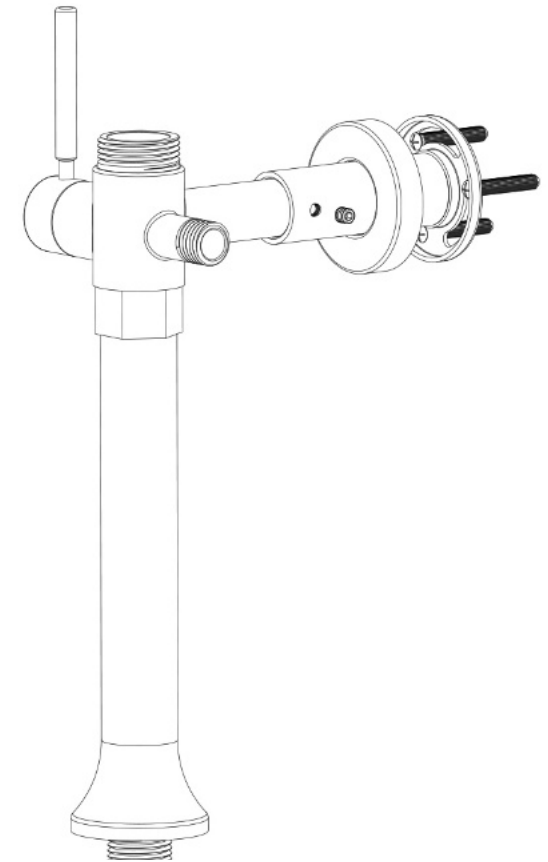
Installation



Step.4 As shown in the picture, attach ① to the Diverter and fix ② with screws. Use a pen to record where the holes need to be drilled.

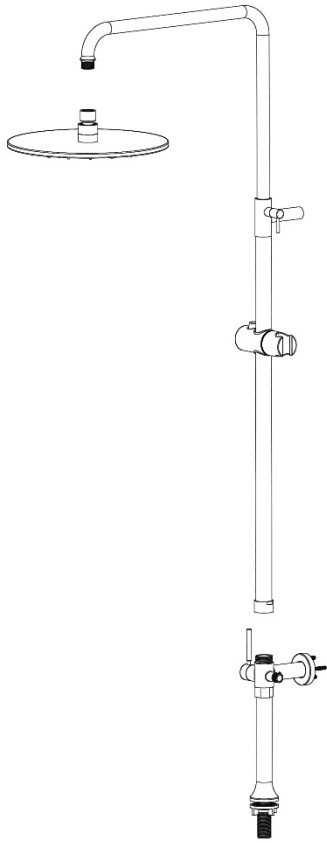


Step.5 Use a drill to drill holes at the points noted in Step.4 and bury the expansion glue. Then use the matching screws to penetrate ② into the expansion glue.

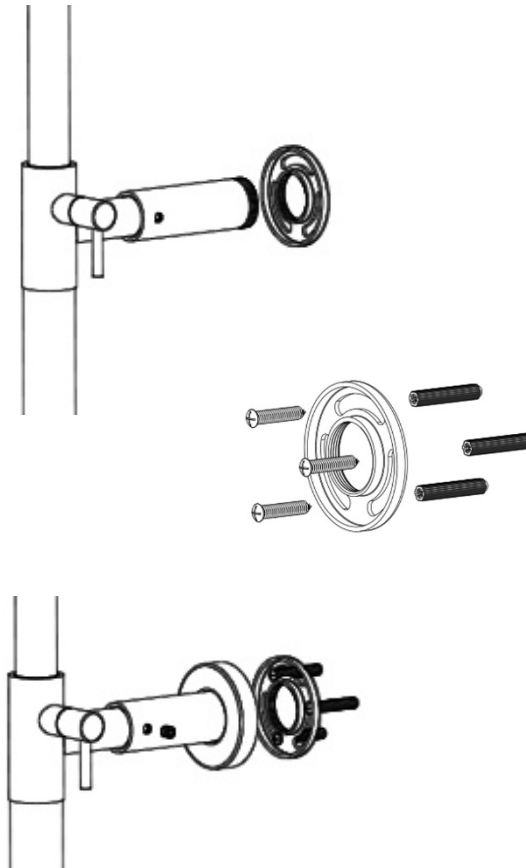


Step.6 Assemble the Shower Mounts.

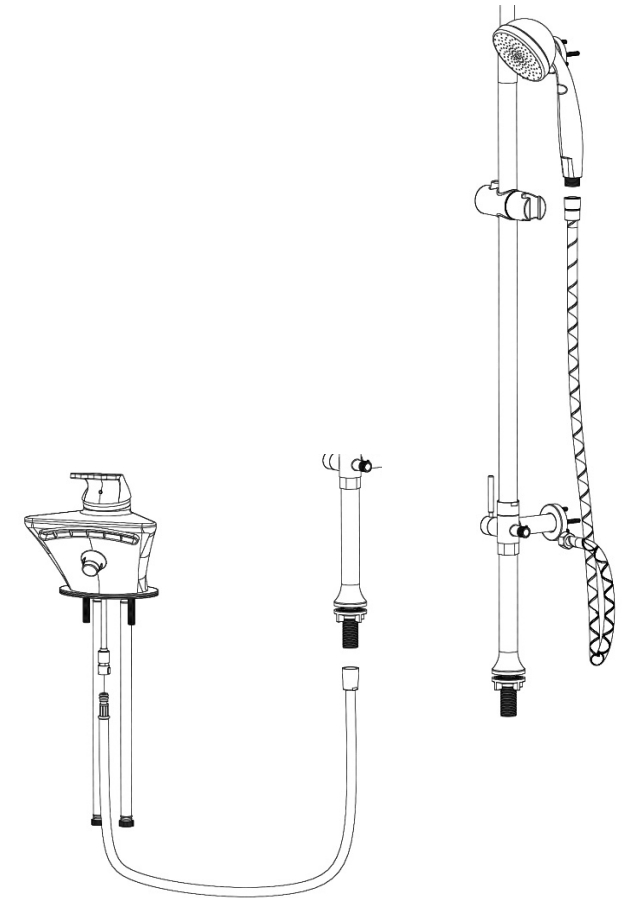
Installation



Step.7 First fasten the 10-inch pivoting rain shower (E) to the rain shower column (D). Then mount the shower slide bar (C) to the diverter (B).



Step.8 Refer to Step.4, 5, 6. Fix the Rotating Lock to the wall.



Step.9 Connect the handheld shower to the new handheld hose, and into the diverter (B). Connect the handheld hose equipped with the original faucet to the shower base column (A). Finish!

*C, D, F, H have been assembled before shipment, no need for additional disassembly.