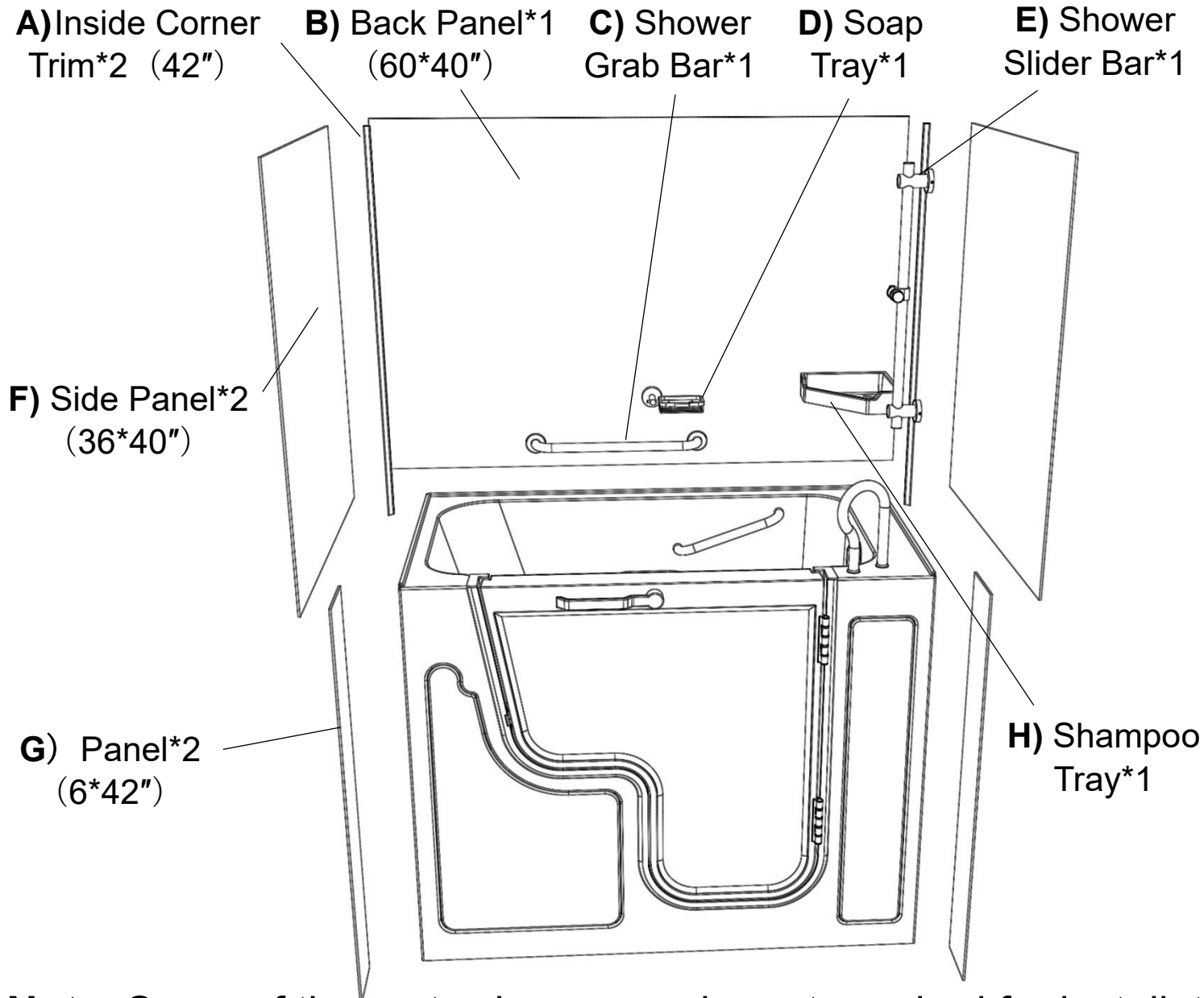


**Flat Wall Kit Surround
Installation instructions**

Flat Wall Kit Surround

IMPORTANT: Read this manual before installing this product. There is important product safety information in this manual, so please be sure to read it thoroughly.

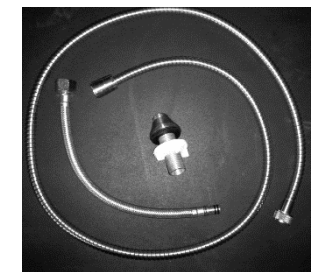
Parts



I) Clear Silicone*3



J) White Silicone*1



K) Hand Shower Adaptor Kit*1

Note: Some of the parts shown may be not required for installation.

■ PREPARATION

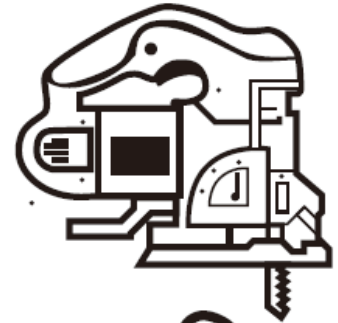
Before beginning assembly of product, make sure all parts are present. Compare parts with package contents list and hardware contents list.

If any part is missing or damaged, do not attempt to assemble the product. Contact us for replacement parts.

Tools Required for Assembly: Silicone Sealant, Scissors, Level, Drill Bits, Jig Saws (or Circular Saws), Belt Sanders, Adjustment of Support Prop

For trimming, shaping, use standard wood cutting tools such as jig saws, circular saws, and belt sanders. Fine to medium tooth finish blades work best for cutting.

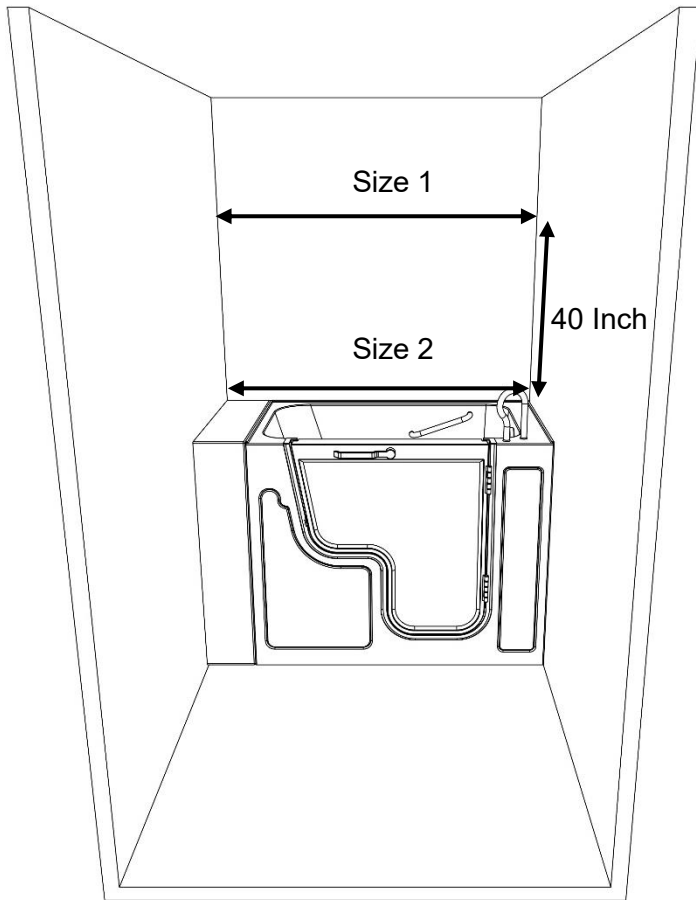
Belt sanders work well for an exact fit.



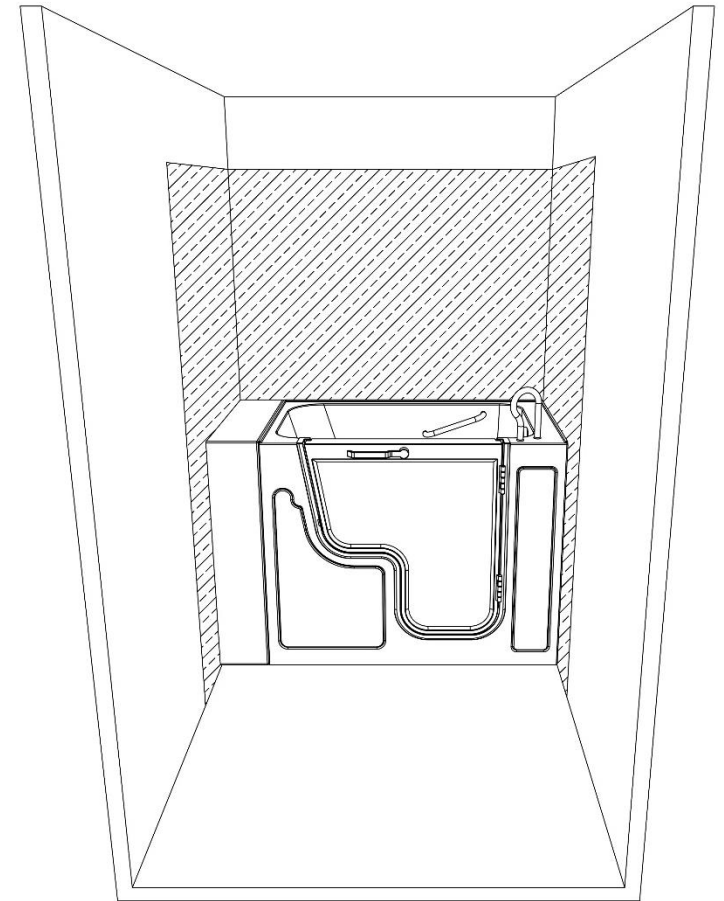
INSTALLTION INSTRUCTIONS

Once the tub is installed & mounted.

Step.1 Make sure walls are clean and dry with no flaking paint or loose materials. (As shown in the dashed area on the right)



Step.2



Step.1

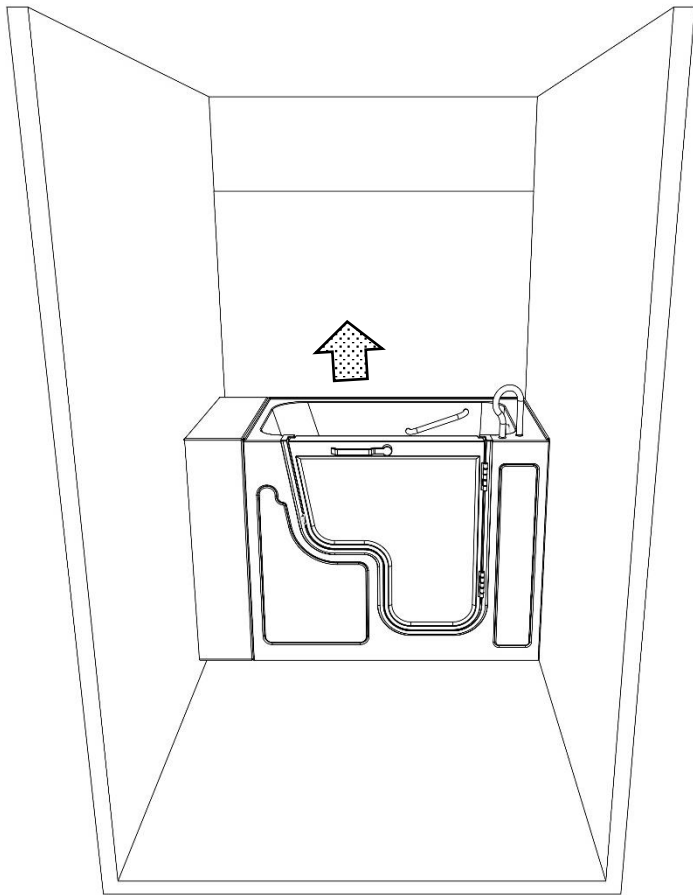
Step.2 Measure the back wall corner to corner at tub height and approximately 40" above the tub.

■ INSTALLTION INSTRUCTIONS

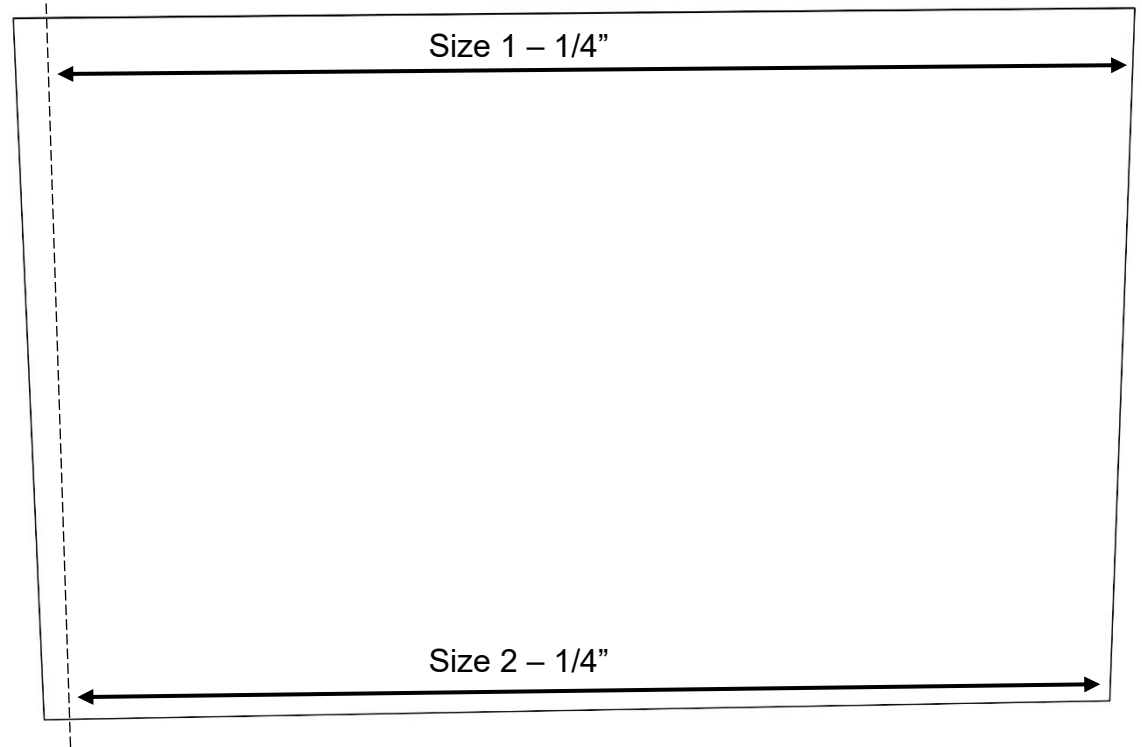
Step.3 Cut the 60" panel approximately $\frac{1}{4}$ " shorter than the wall measurement.

Cut acrylic panel using a jig saw with medium tooth wood blade at low speed.

Using a straight edge as a guide.



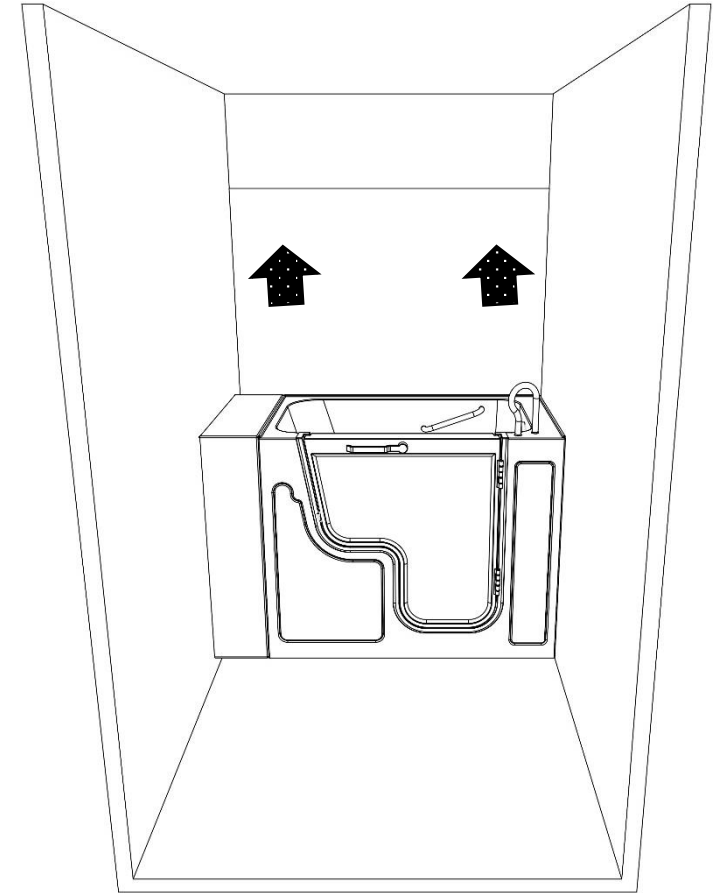
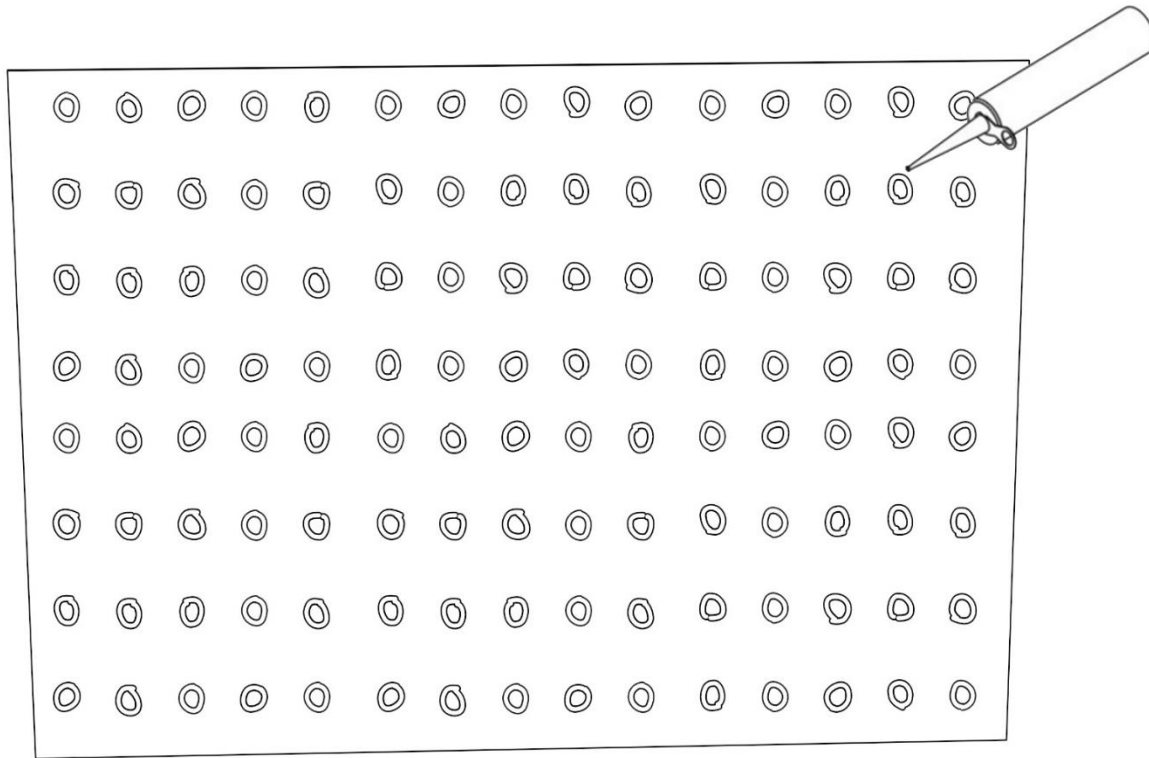
Step.4



Step.3

Step.4 Test fit the panel. If there is a size problem, please trim the panel again.

INSTALLTION INSTRUCTIONS



Step.5 Cut the tip off of 1 of the clear silicone adhesive tubes and screw on a plastic tip. Cut the tip back approximately $\frac{3}{4}$ " to allow for better adhesive application.

Step.6 Liberally apply adhesive all the way around the perimeter of the area to be covered with the acrylic panel. Stay 2" in from all edges. Inside of the outline of adhesive, apply vertical adhesive lines approximately 8" apart.

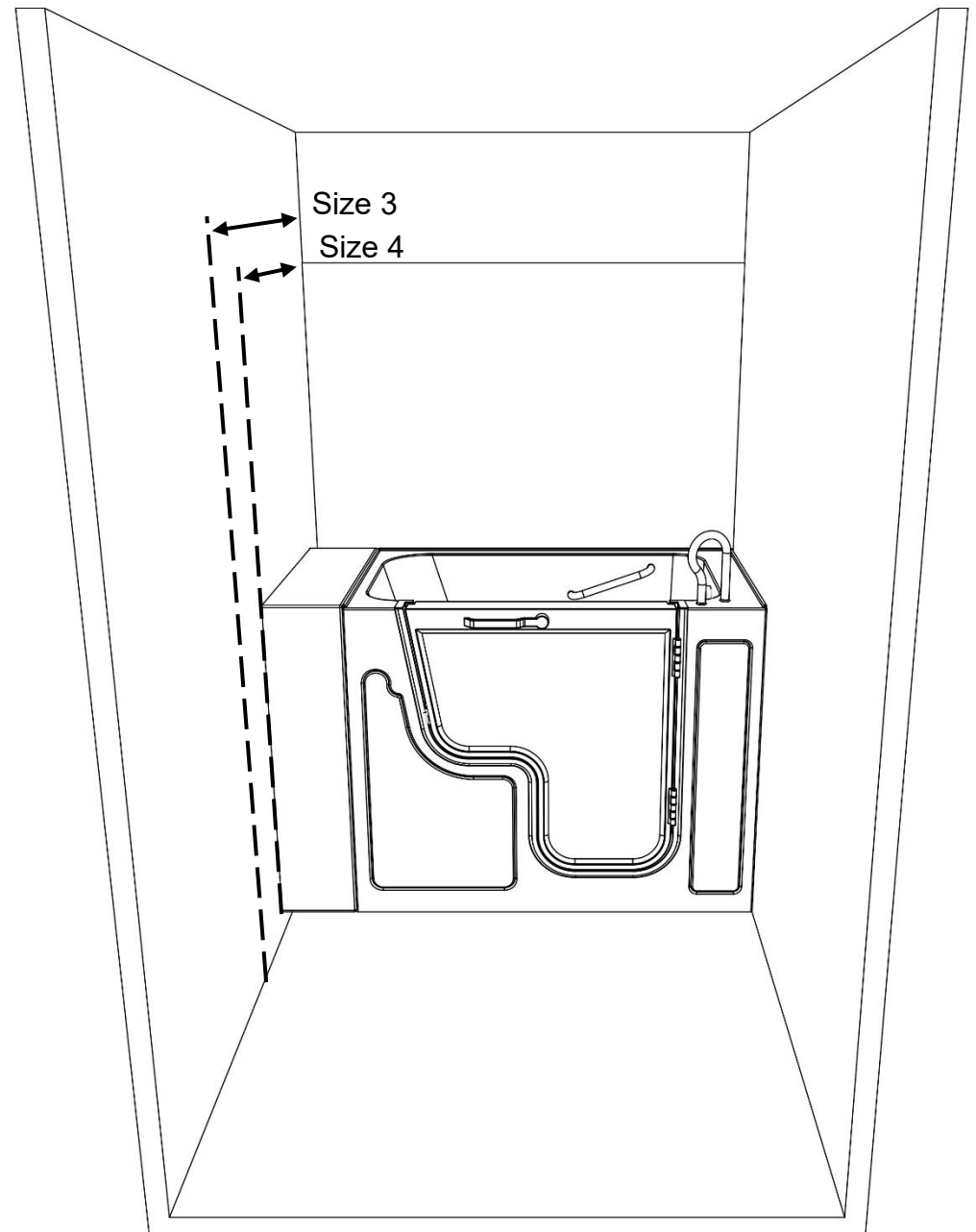
Step.7 Install the panel, be sure to rub/press panel firmly all over its surface to get good distribution and adhesion between the panel and existing wall.

■ INSTALLTION INSTRUCTIONS

End panel installation.

Step.8 Measure from the corner to the edge of the tub
OR up to 3" past the tub. (Size 3 or Size 4 like right)

Going past the tub gives the installer more flexibility
for wall finish.



■ INSTALLTION INSTRUCTIONS

Step.9 Cut 1 of the end panels to the appropriate length and test fit for corner height fit. Place the “cut” end in the corner.

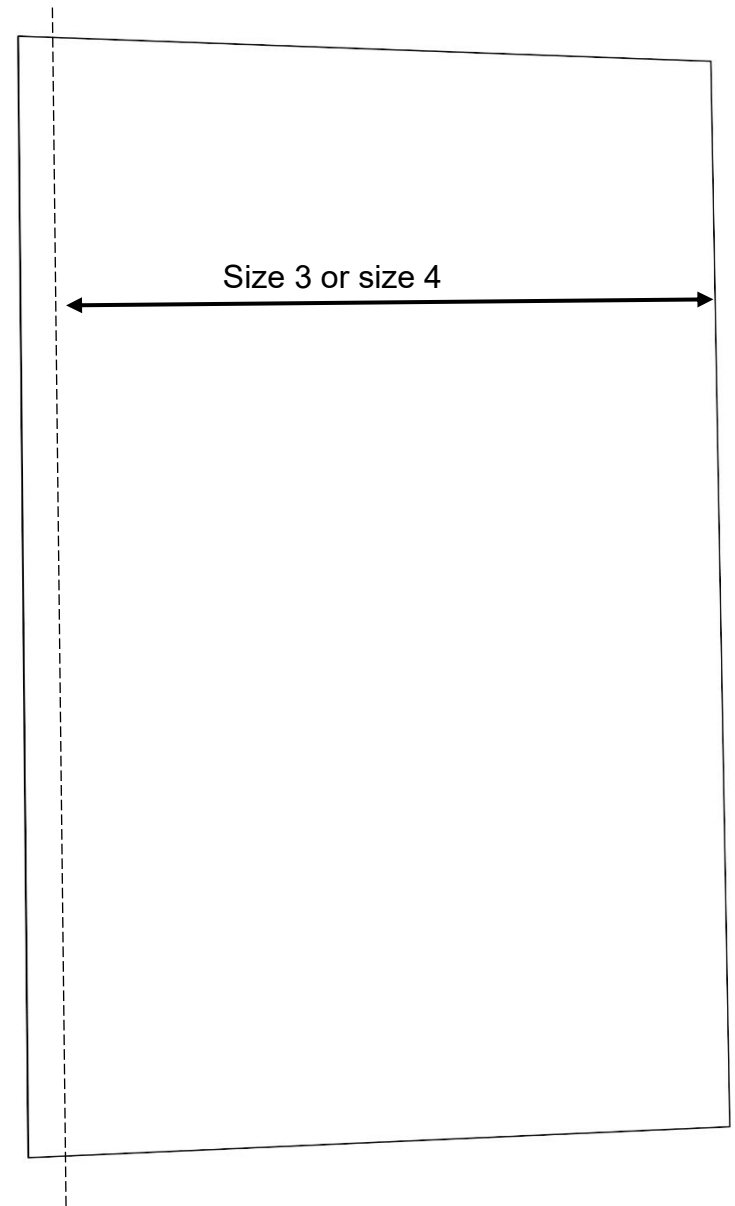
Step.10 Open another tube of adhesive, follow the same adhesive pattern on each end panel. Press firmly against the entire surface of the panel for optimum adhesion.

Step.11 Repeat this process for the valve end panel.

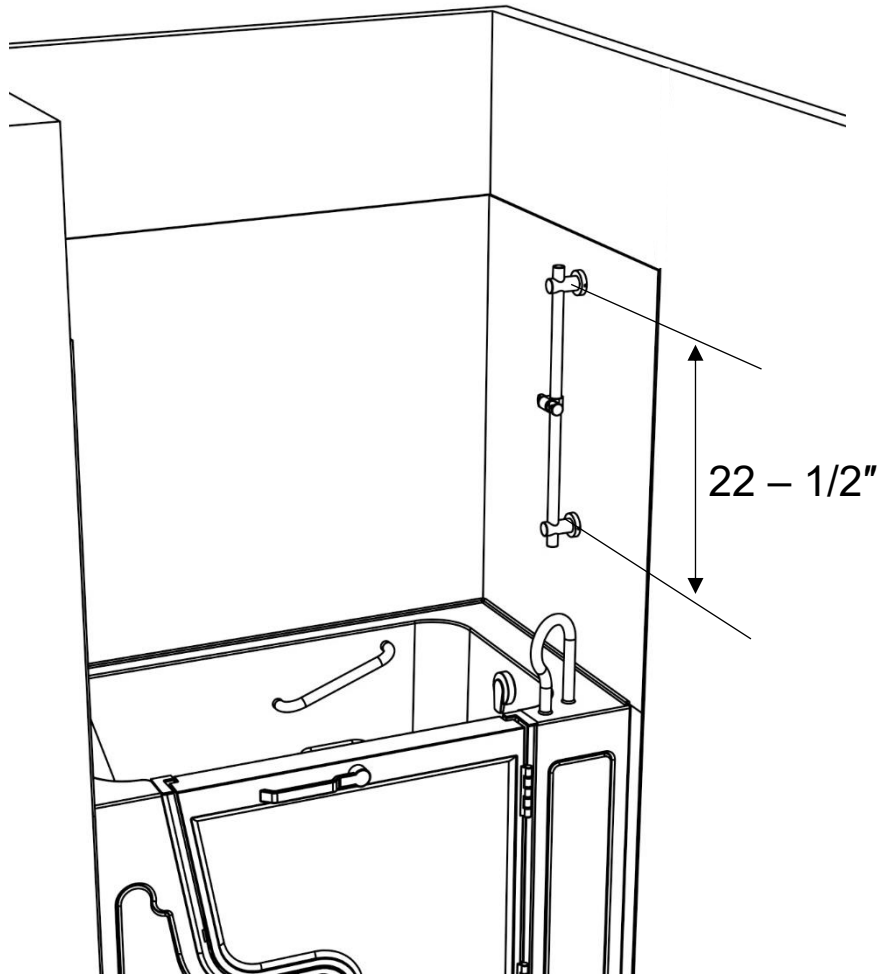
Step.12 When both end panels have been installed. Apply a bead of adhesive in the corners top to bottom, sealing the corners against water damage.

Option:

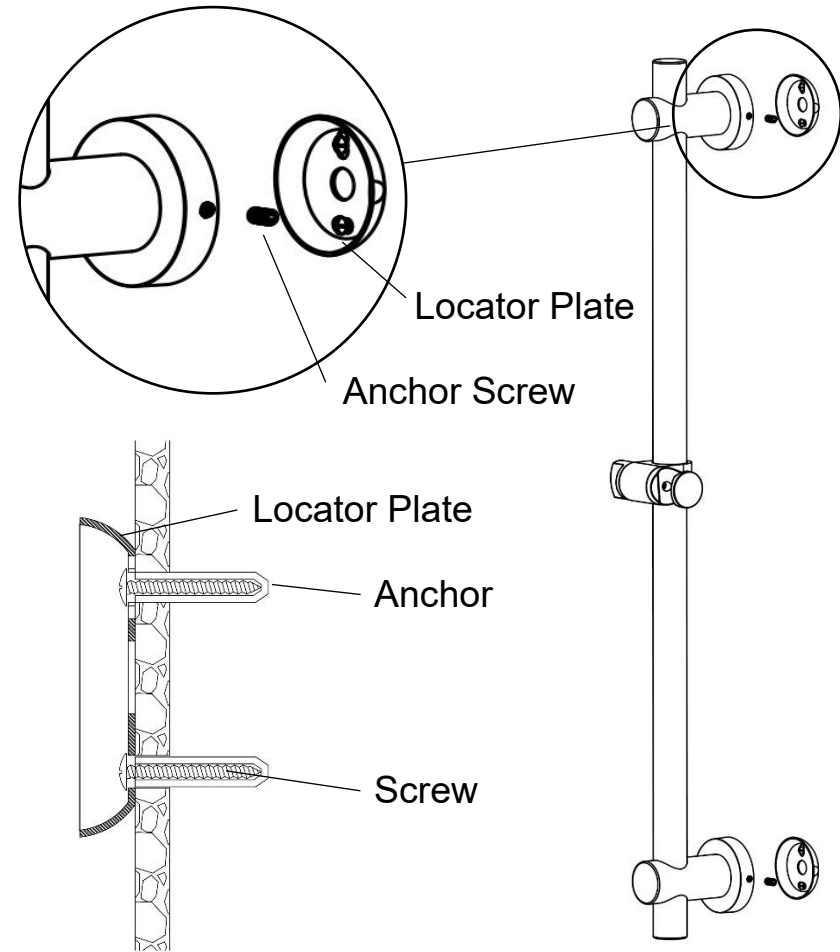
End panels that have been left 2-3” wider than the tub. Cut the 6” panel to match the overhang and height of the tub. Apply 2 small beads of adhesive to each cut panel and apply panels to the wall.



INSTALLTION INSTRUCTIONS

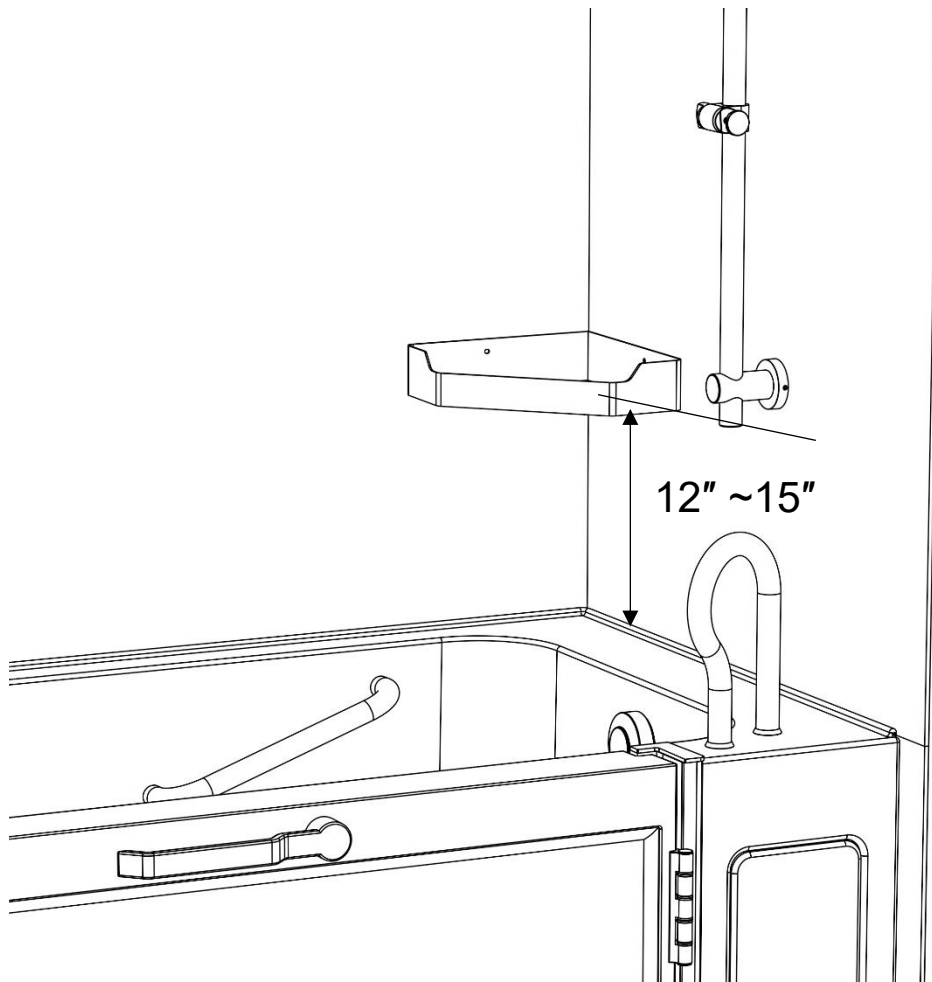


Step.12 Confirm the placement of the shower slider bar(**E**) based on the client's input. And mark it down with a pen.

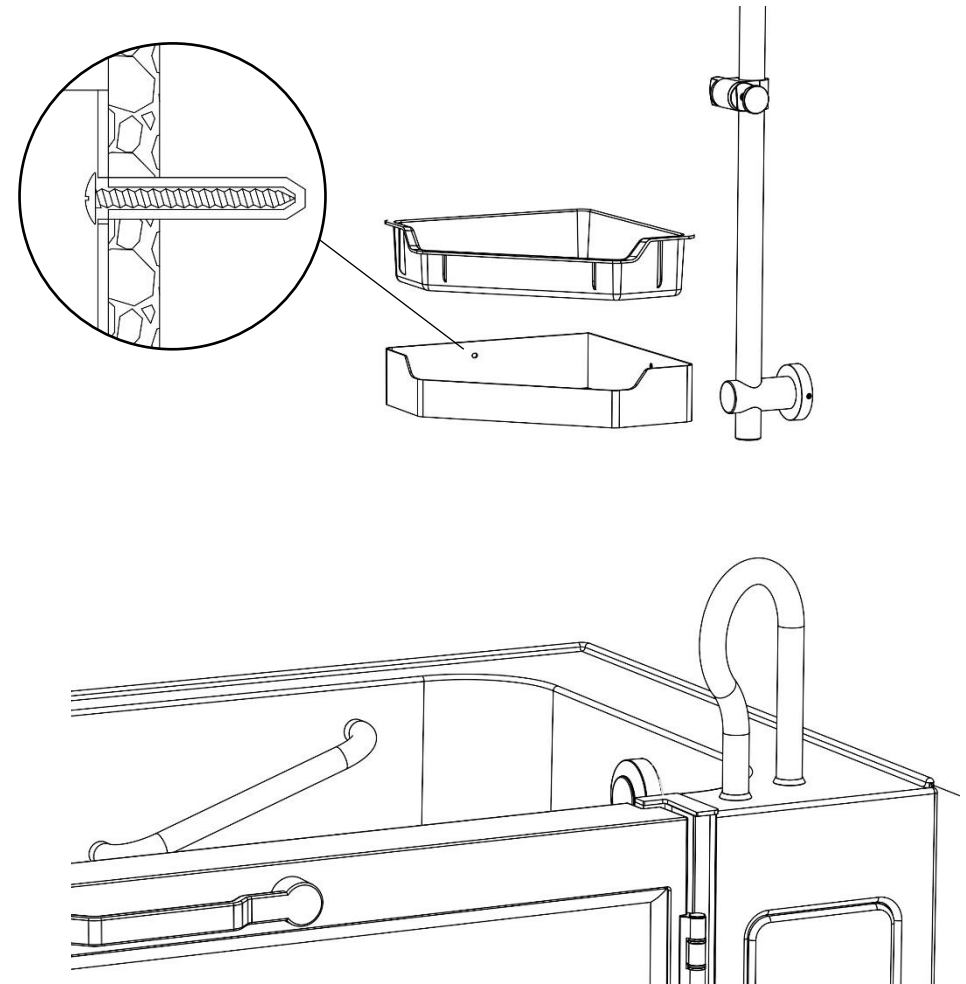


Step.13 Make holes according to the hole position of the locator plate and fix the locator plate. Finally, attach the shower slider bar by means of the anchor screws.

INSTALLTION INSTRUCTIONS

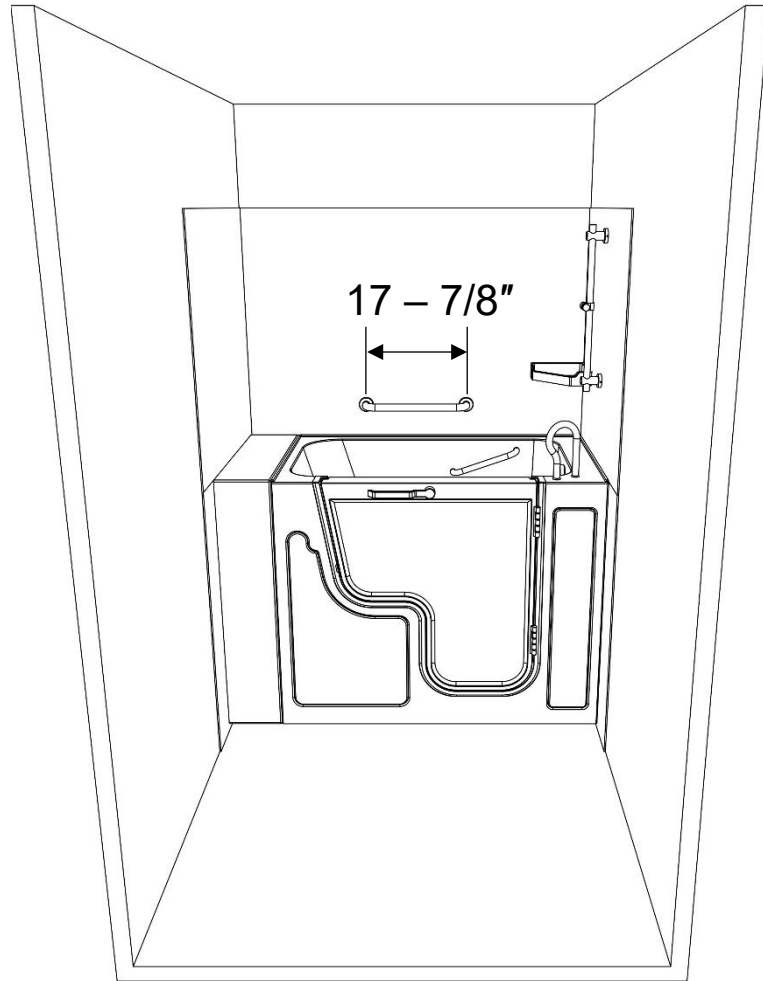


Step.14 Shampoo caddy, remove the composite insert from the mounting frame. The shampoo caddy is mounted in the corner above the valve approximately 12" – 15" above the tub.

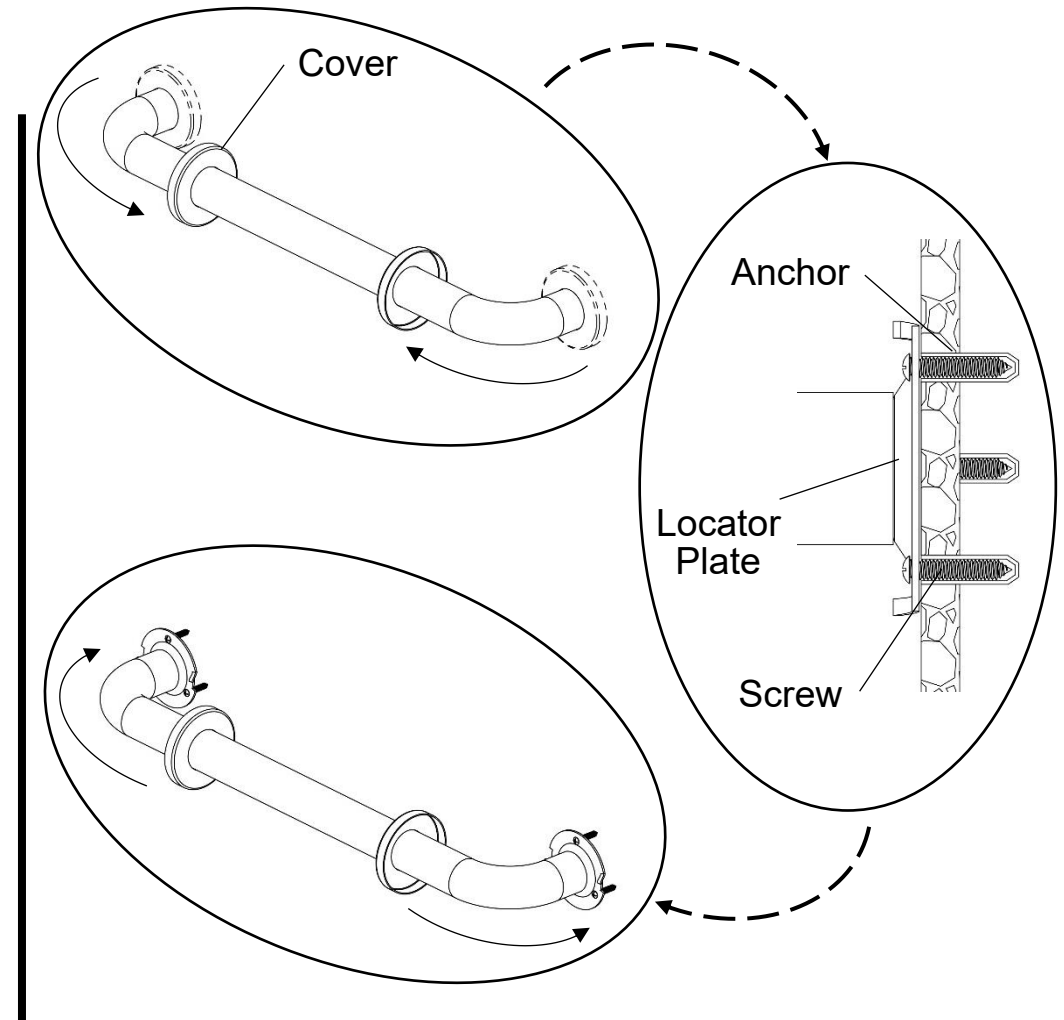


Step.15 Mark the holes in the mounting frame on the wall & drill 3/16" holes, use the mounting hardware provided. Slide the shampoo insert into the mounted frame.

INSTALLTION INSTRUCTIONS

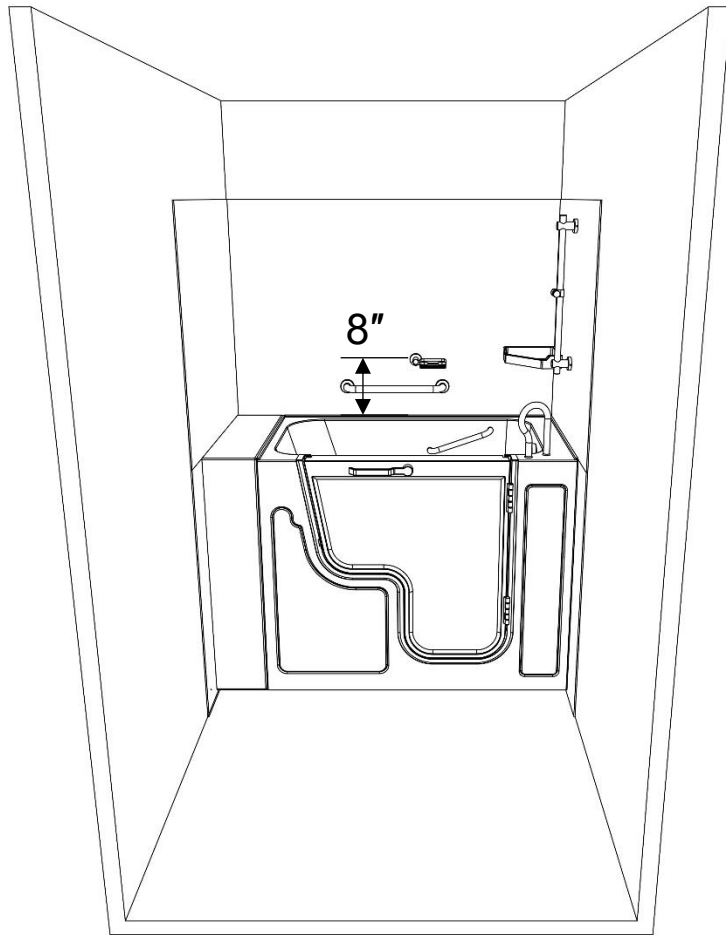


Step.16 Confirm the placement of the shower grab bar(C) based on the client's input. And mark it down with a pen.

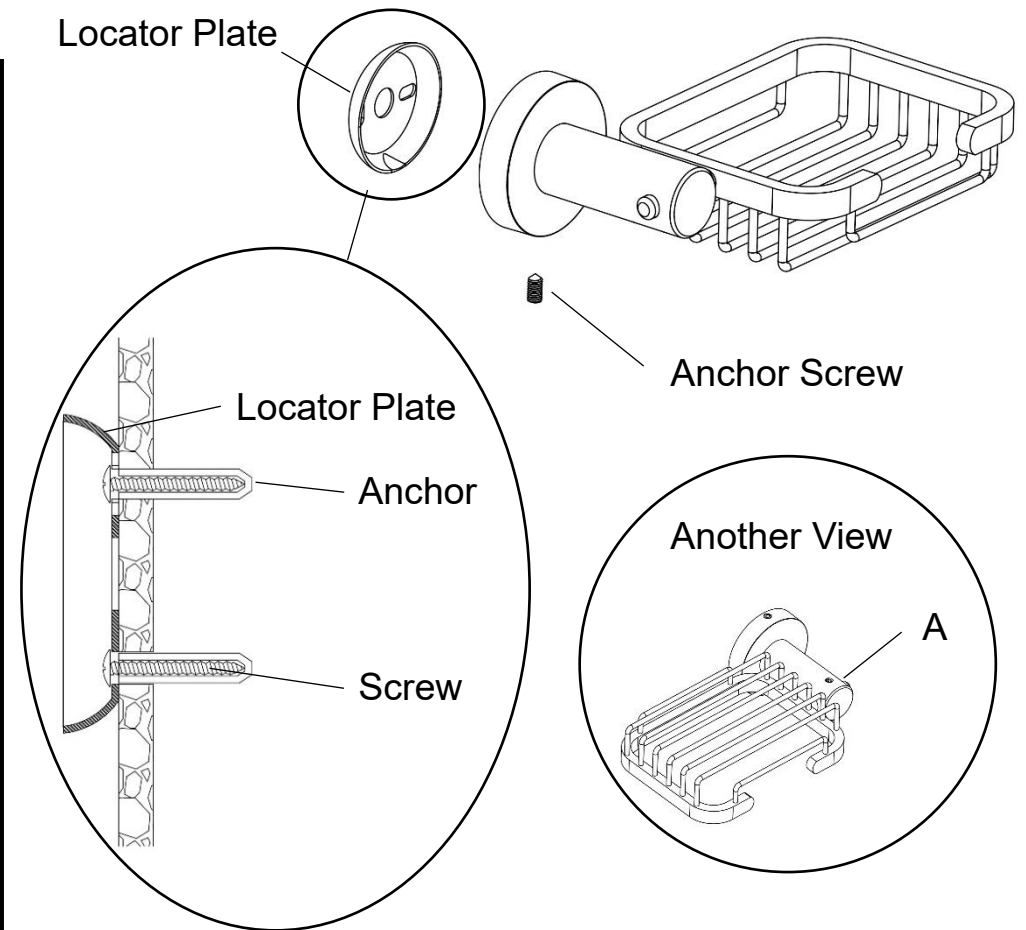


Step.17 Move the cover. Make holes according to the hole position of the locator plate and fix the shower grab bar. Finally, move the cover to its original position.

INSTALLTION INSTRUCTIONS

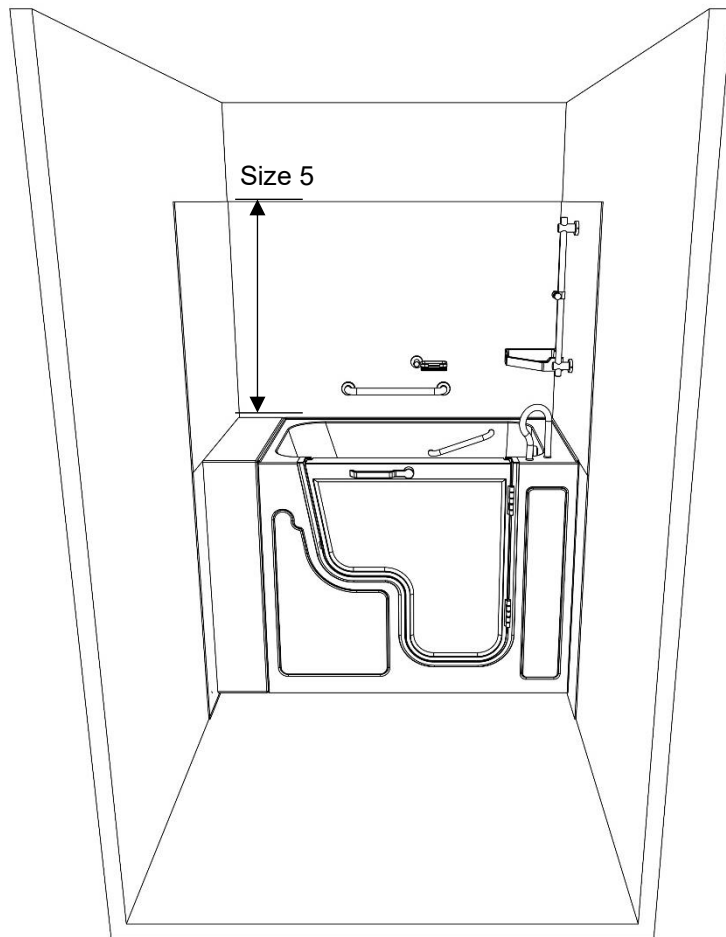


Step.18 Soap caddy, remove the mounting bracket on the soap caddy and install the bracket approximately 8" above the tub in a location convenient for the homeowner.



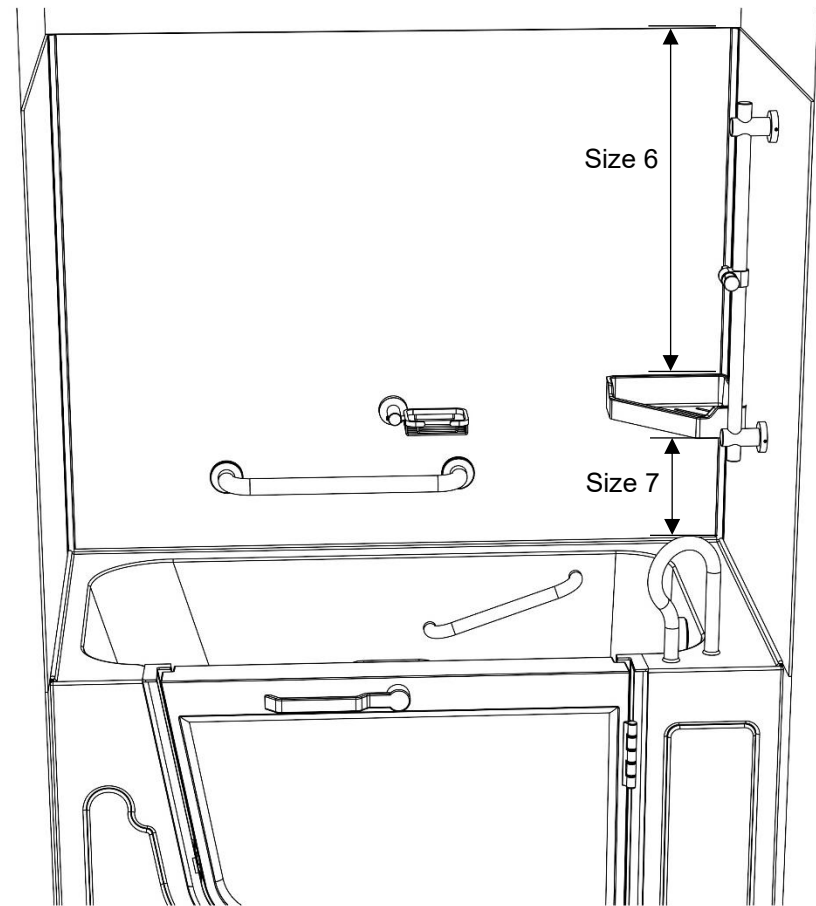
Step.19 Predrill 3/16" holes and use the mounting hardware provided. Place the soap caddy on the mounting bracket and using the enclosed Allen wrench tighten the set screw on the bottom of the soap caddy.

INSTALLTION INSTRUCTIONS



Step.20 Measure from the top of the tub to the top of the wall panels. Cut the corners to the necessary.

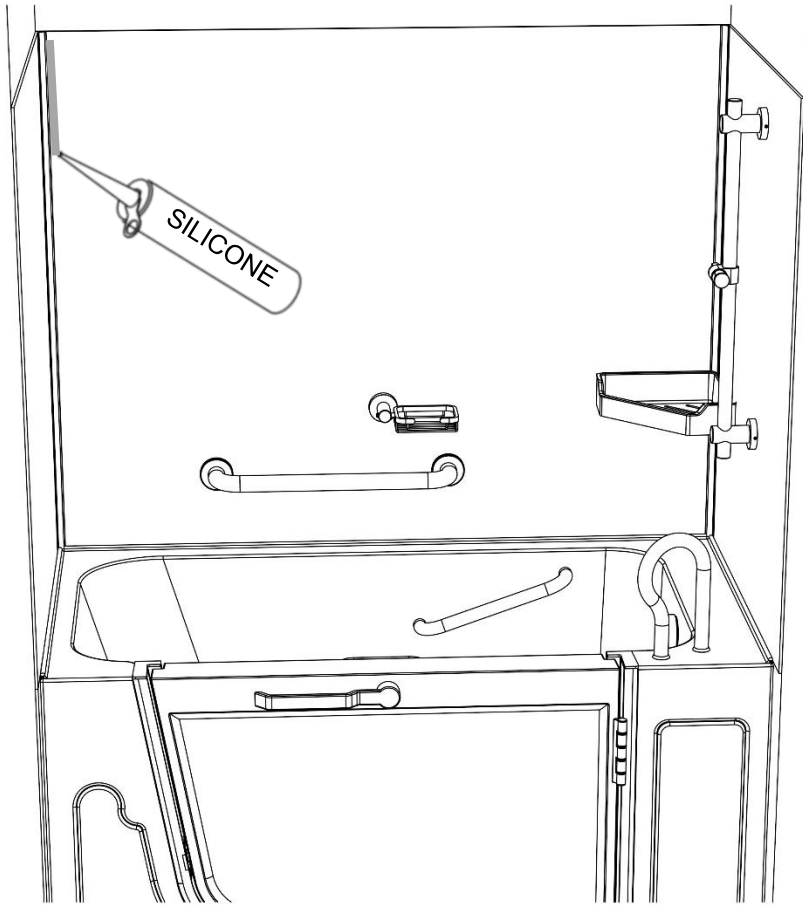
Step.21 Place a small bead of adhesive the full length of inside corner. Press the inside corner into the corner, firmly pressing into the corner.



Step.22 Measure from the top of the soap caddy to the top of the corner panels. Cut the inside corner to length, apply adhesive and press firmly into the corner.

Step.23 Cut a piece of inside corner trim and apply under the shampoo caddy using the same application method.

INSTALLTION INSTRUCTIONS



Step.24 Using the white finish caulk, caulk all seams where the wall panels meet the tub. Caulk all the vertical edges of the inside corners. This creates a TRIPLE layer seal on the corners.

Option:

Using masking tape, leave a 1/8" gap down the front edge of the end panels. Run a small bead of white finish caulk down each end, strike and remove tape for a smooth finish.